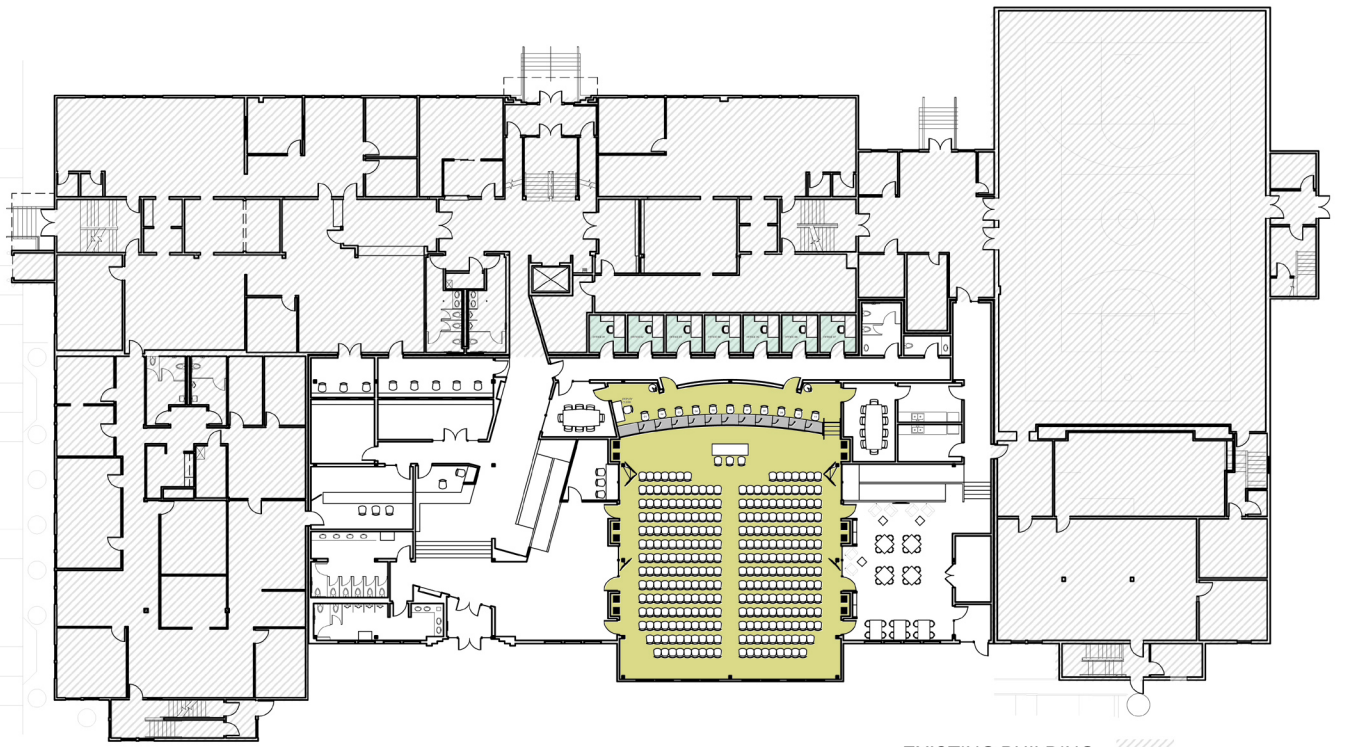


EXISTING BUILDING - 3 FT ABOVE GRADE
 ADDITION- 3 FT ABOVE GRADE
 ADDITION- AT GRADE

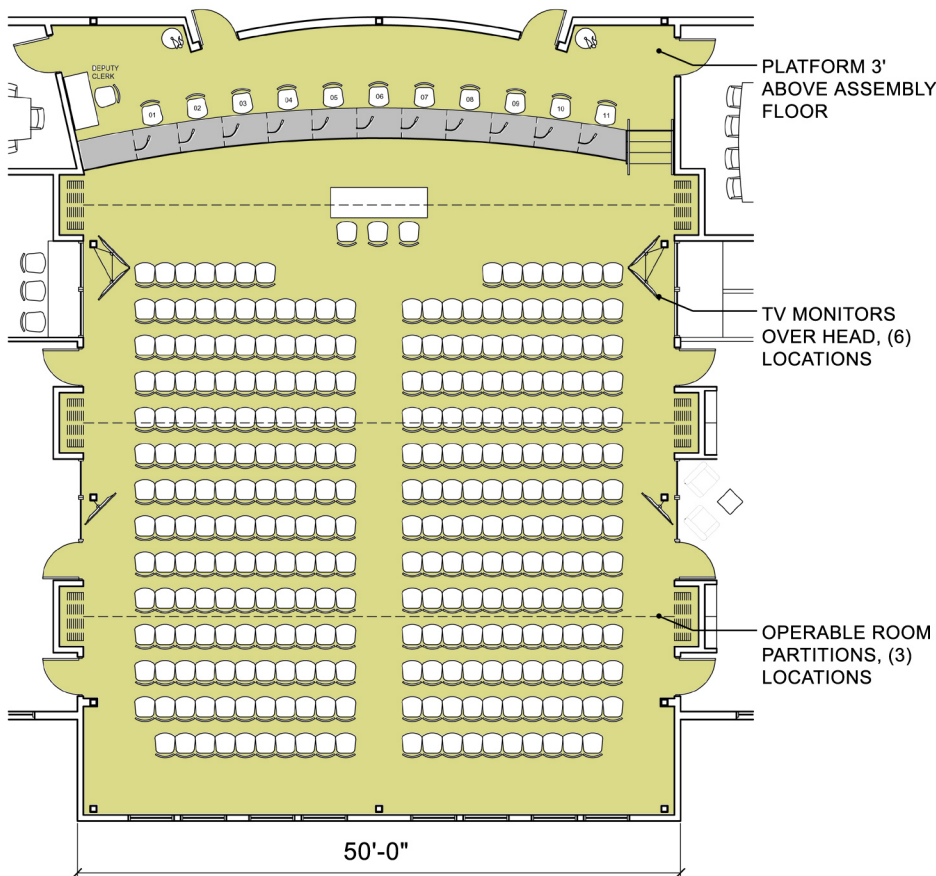
EXISTING BUILDING
 BREAK ROOM
 DEPARTMENTAL PUBLIC INTERFACE
 ASSEMBLY SUPPORT SPACES
 ASSEMBLY ROOM
 PUBLIC RESTROOMS



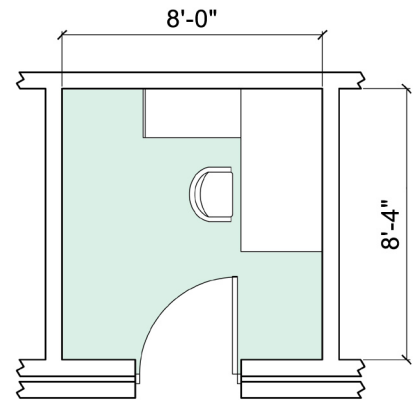


ADDITION TO FIRST FLOOR

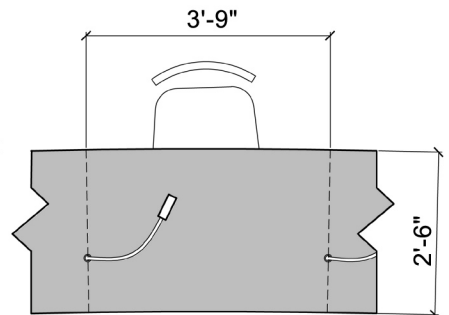
- EXISTING BUILDING
- ASSEMBLY ROOM
- ASSEMBLY OFFICES



ASSEMBLY ROOM
300 SEATS



TYPICAL ASSEMBLY OFFICE



TYPICAL ASSEMBLY TABLE PLACE