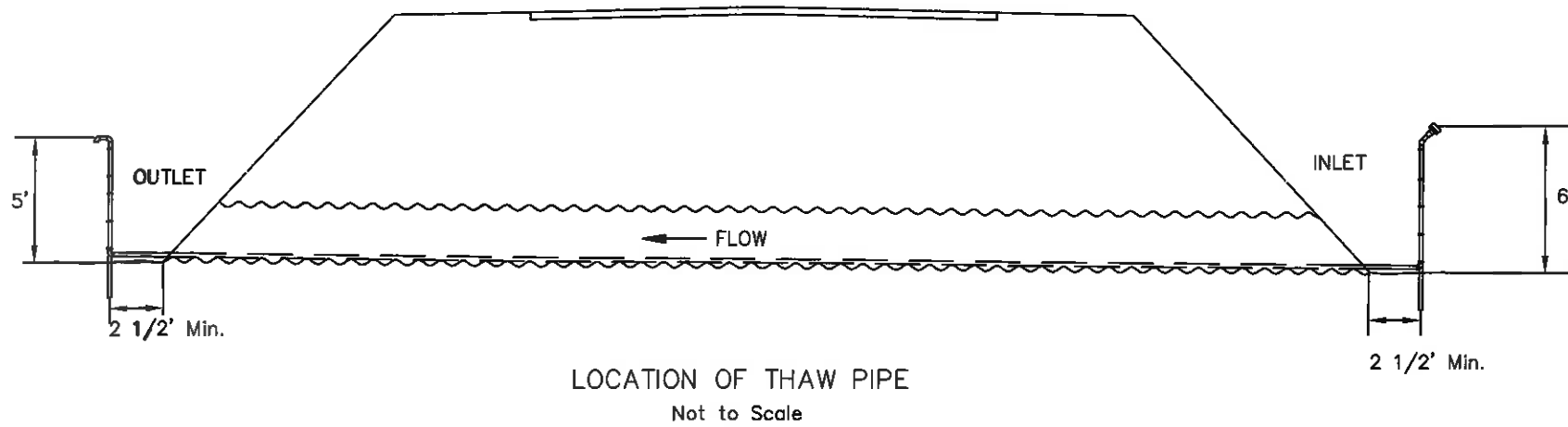
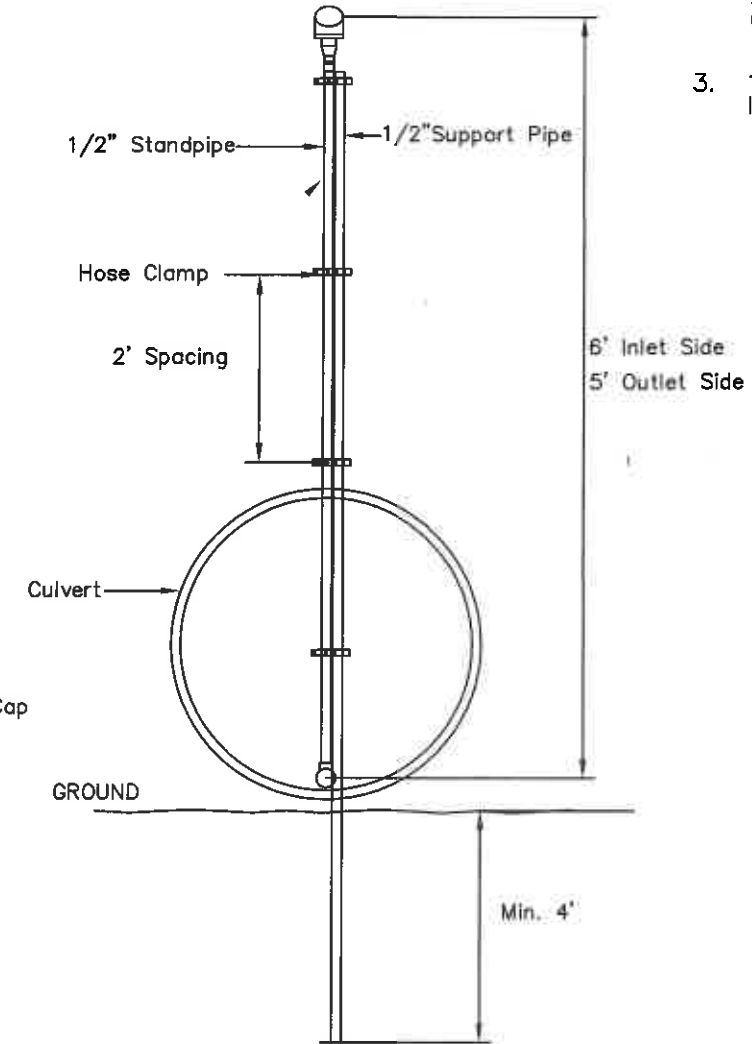


GENERAL NOTES:

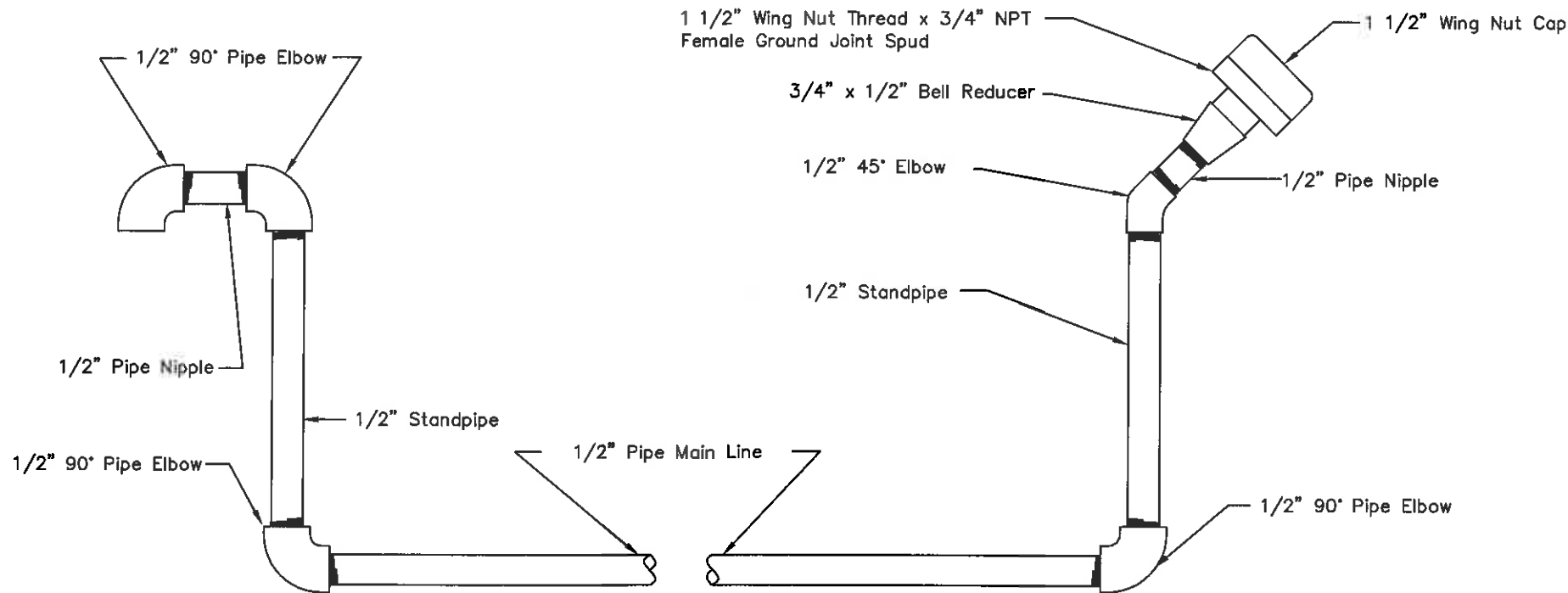
1. This drawing is not to scale and for informational purposes only.
2. All material and workmanship shall be in accordance with the State of Alaska, Standard Specifications for Highway Construction, latest edition.
3. 1/2" main line and standpipes to be liquid tight.



LOCATION OF THAW PIPE
Not to Scale



STANDPIPE SUPPORT
Not to Scale



STANDARD SINGLE THAW PIPE
Not to Scale

REVISIONS		
Date	Description	By

Matanuska-Susitna Borough
Department of Public Works

CULVERT THAW PIPE

