

## MSB ACQUISITION EXHIBIT CHECKLIST

Use 8 ½" x 11" or 8 ½" x 14" paper. The plats must be neat, legible, accurately dimensioned, and exhibit enough contrast so that copies made by the recording office leave no question as to the location of the property being transferred. NOTE: Temporary construction permit (TCP) drawings may be simplified. See attached example.

1. Line work for Right of Way (ROW) Centerline.
2. Line work for subdivision and/or aliquot parts as per Title Report:
  - a. Adjacent lots dashed lines within 50-100 feet.
  - b. Parent Parcel bold solid lines.
3. Acquisition line work (bold dashed line for Easements - bold solid lines for Fee).
4. Pick Scale to show remainder if possible, or use second Page at a different scale.
5. Remove all Distance and Bearings on adjacent lots or areas.
6. Show Existing Improvements within 25 feet of existing and proposed ROW.
7. Show and label existing easements on parent parcel, and within 100' on adjacent parcels, with dashed line work (Dimension, type, and include record information if not dedicated on plat of record).
8. Show all curve data and centerline stationing with tick marks, if available. **NOTE:** The parcel map examples do not show centerline stationing.
9. Label existing improvements and ties to proposed and existing ROW dimensioned to 0.1 foot with no +/- (e.g.: see well on exhibit).
10. Label source of existing ROW (Dimension, type, and include record information if not dedicated on plat of record).
11. Label Subdivision Name or Names including Plat Number with a solid font; if plat has been re-recorded show both plat numbers, including adjacent lots if Subdivision Name and Plat Number are different than subject parcel.
12. Label Lot numbers and Block numbers, including adjacent lots.
13. Label Street Names including directional.
14. Label Acquisition Area.
15. Label Project Right of Way line.
16. Label at top of drawing: Exhibit "A".
17. Label Parcel Number. If fee and easement required on same parent parcel, label as "Parcel 10" for Fee and "Parcel E-10" for Easement. If the use of temporary construction permit (TCP) or temporary construction easement (TCE), prefix the areas required by the letters "TCP" or "TCE" followed by the number assigned to the parcel. Use the same process for slope & maintenance easement (SME) or creek and maintenance easement (CME).
18. Dimension:
  - a. Parent Parcel – Measured and Record.
  - b. Acquisition.
  - c. Acquisition dimension ties to property corners.
  - d. ROW width where parallel to centerline.
  - e. Segmented distances should add up to the overall distance. Overall Distance should be located on the outside of the parent parcel boundary line and the segmented distances should be on the inside of the parent parcel. Use leader lines as needed.
  - f. Curve Table Elements: Curve#/Length/Radius/Delta/Chord Bearing/Chord Length.
19. Hatch existing ROW and Acquisition Areas and include Hatches in Legend:
  - a. Acquisition areas – Dots.
  - b. Existing Public and Private ROW and Easements – ANSI31.
20. Title Block:
  - a. Easement Area (Gross, Net, and Remainder when Fee).
  - b. Scale notation.
  - c. Date (Save Date-update date every revision).

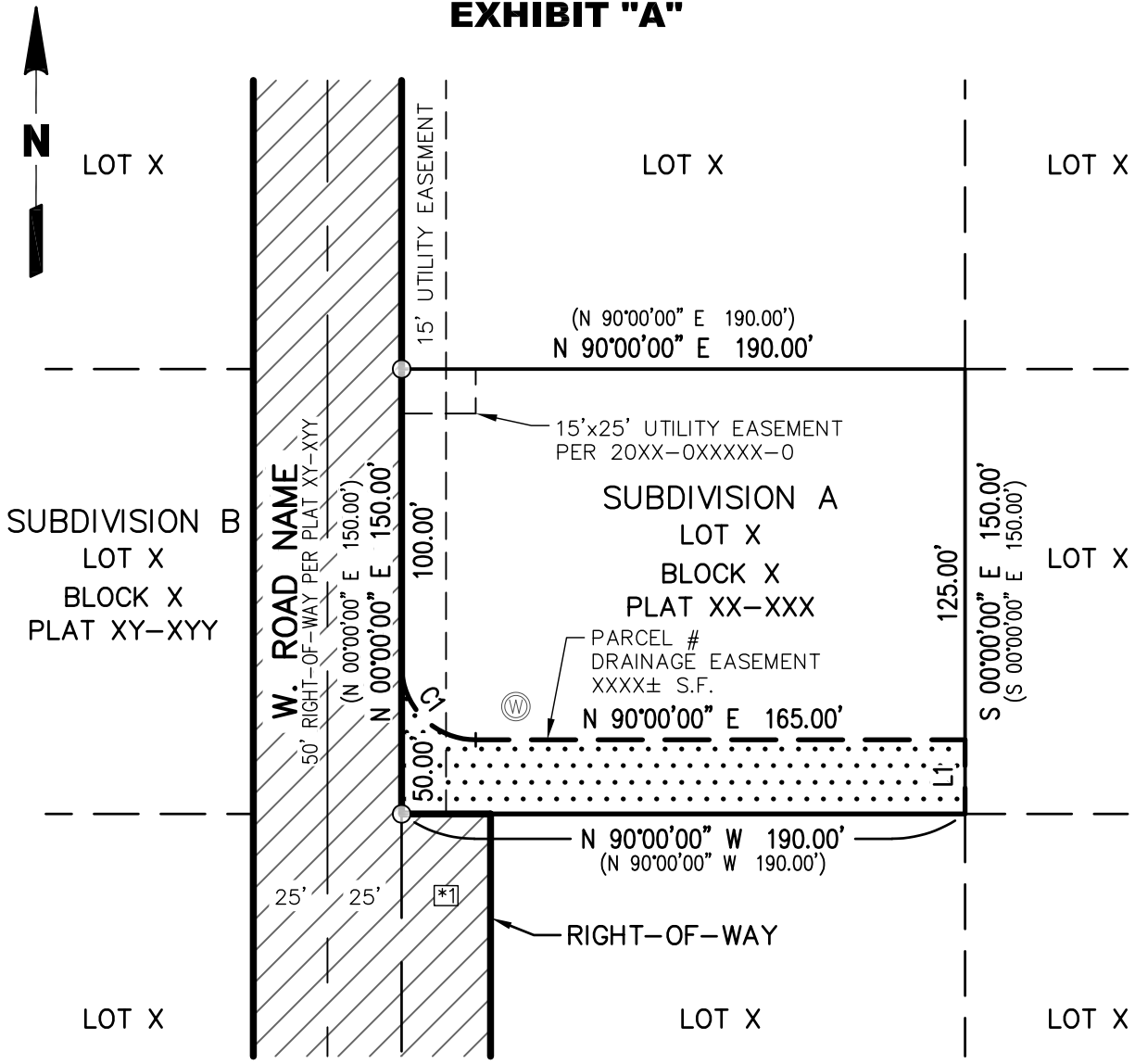
Parcel No.: \_\_\_\_\_

Project Name

Project Number

- d. Parcel Number.
  - e. Project Number.
  - f. Project Name.
  - g. Tax Account Number.
  - h. Surveyor's printed name, address, phone number, and AEC number.
  - i. Legal Description including Section, Township, Range, Meridian, Recording District, Third Judicial District, and State of Alaska.
  - j. Page Numbers.
- 
- 21. Show Land Hooks where needed.
  - 22. Basis of Bearings note.
  - 23. Type and Size of all monuments found or set.
  - 24. Seal, Sign, and Date.

# EXHIBIT "A"



CURVE TABLE					
CURVE	LENGTH	RADIUS	DELTA	CHORD BEARING	CHORD LENGTH
C1	39.27'	25.00'	90°00'00"	S 45°00'00" E	35.36'

**NOTES:**  
 1. BASIS OF BEARING IS NAD 83(2011) ALASKA STATE PLANE, ZONE 4.

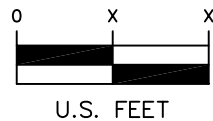
LINE TABLE		
LINE	DIRECTION	LENGTH
L1	S 00°00'00" E	25.00'

**RIGHT-OF-WAY LEGEND:**  
 \*1 - 30' RIGHT OF WAY DEED PER 20XX-0XXXXX-0

- LEGEND**
- ( ) RECORD DATA PER PLAT XX-XXX
  - FOUND "X" X
  - EXISTING RIGHT-OF-WAY
  - EASEMENT REQUIRED
  - Ⓜ WATER WELL



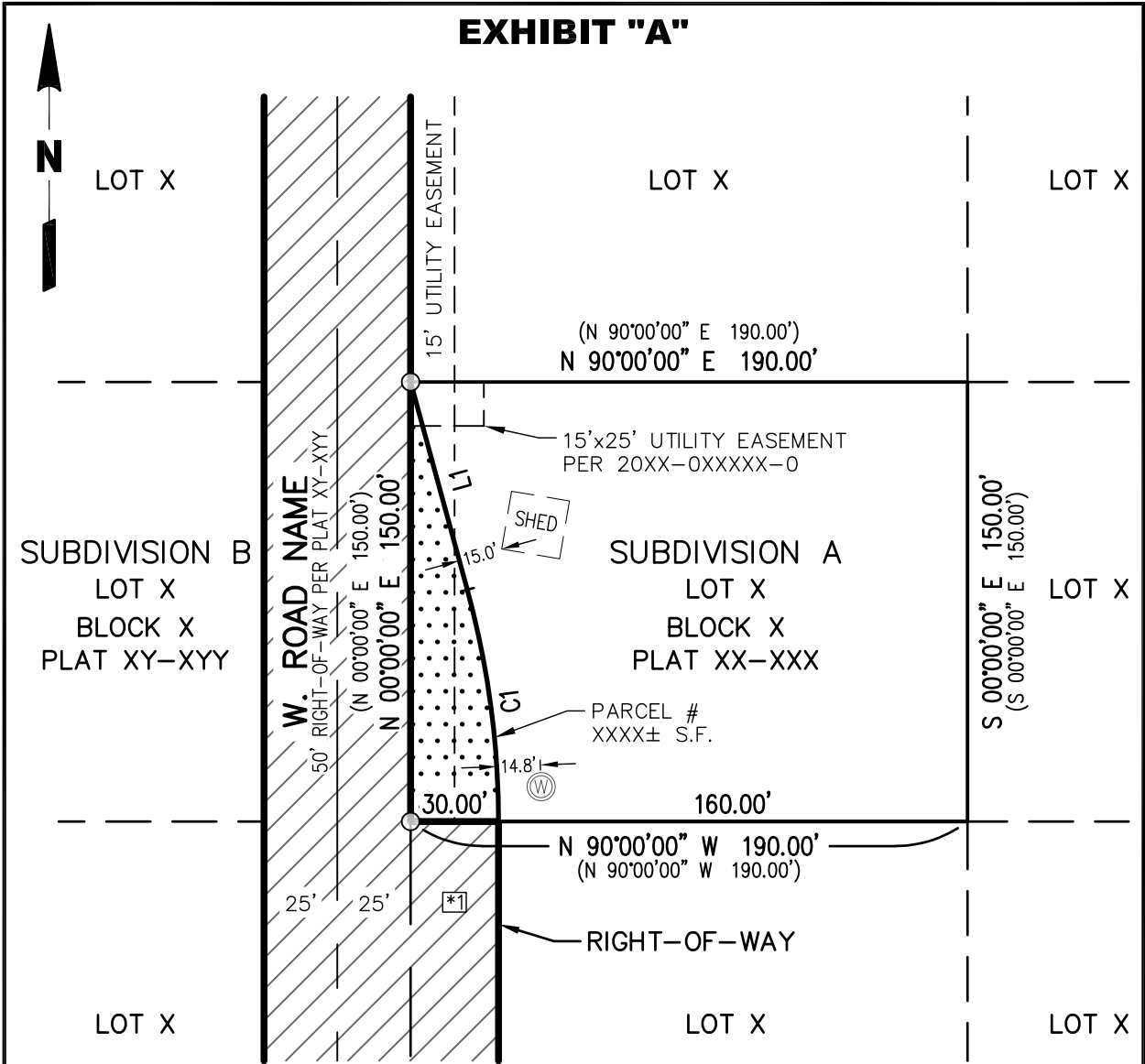
**MATANUSKA-SUSITNA BOROUGH**  
 PUBLIC WORKS DEPARTMENT



AEC #XX  
 NAME, ADDRESS, CITY, AK, ZIP, PHONE

DRAINAGE EASEMENT REQUIRED FOR: <b>PROJECT NAME</b>  <b>LOT X, BLOCK X</b> <b>SUBDIVISION A</b>  PLAT X, LOCATED WITHIN SECTION X, T X N, R X W, X MERIDIAN X RECORDING DISTRICT, THIRD JUDICIAL DISTRICT, STATE OF ALASKA	EASEMENT AREA: X,XXX S.F.	DRAWN BY: XXX
	TAX ACCOUNT No: XXXXBXXLXXX	CHECKED BY: XXX
	TAX MAP: XXXX	PARCEL No.: X
	PROJECT No.: X	SCALE: 1"=X'
	DATE: 4/2/2024	PAGE: 1 OF 1

# EXHIBIT "A"



CURVE TABLE					
CURVE	LENGTH	RADIUS	DELTA	CHORD BEARING	CHORD LENGTH
C1	80.06'	300.00'	15°17'28"	S 7°38'44" E	79.83'

**NOTES:**

1. BASIS OF BEARING IS NAD 83(2011) ALASKA STATE PLANE, ZONE 4.

LINE TABLE		
LINE	DIRECTION	LENGTH
L1	S 15°17'28" E	73.48'

**RIGHT-OF-WAY LEGEND:**

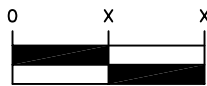
\*1 - 30' RIGHT OF WAY DEED PER 20XX-0XXXXX-0

**LEGEND**

- ( ) RECORD DATA PER PLAT XX-XXX
- FOUND "X" X
- EXISTING RIGHT-OF-WAY
- RIGHT-OF-WAY REQUIRED
- AREA REMAINING
- WATER WELL



**MATANUSKA-SUSITNA BOROUGH**  
PUBLIC WORKS DEPARTMENT



U.S. FEET

AEC #XX  
NAME, ADDRESS, CITY, AK, ZIP, PHONE

RIGHT-OF-WAY REQUIRED FOR: <b>PROJECT NAME</b>  <b>LOT X, BLOCK X</b> <b>SUBDIVISION A</b>  PLAT X, LOCATED WITHIN SECTION X, T X N, R X W, X MERIDIAN X RECORDING DISTRICT, THIRD JUDICIAL DISTRICT, STATE OF ALASKA	GROSS AREA: X,XXX S.F.	DRAWN BY: XXX
	NET AREA: X,XXX S.F.	CHECKED BY: XXX
	REMAINDER: X,XXX S.F.	TAX MAP: XXXX
	TAX ACCOUNT No: XXXXBXXLXXX	PARCEL No.: X
	PROJECT No.: X	SCALE: 1"=X'
	DATE: 4/2/2024	PAGE: 1 OF 1

# EXHIBIT "A"



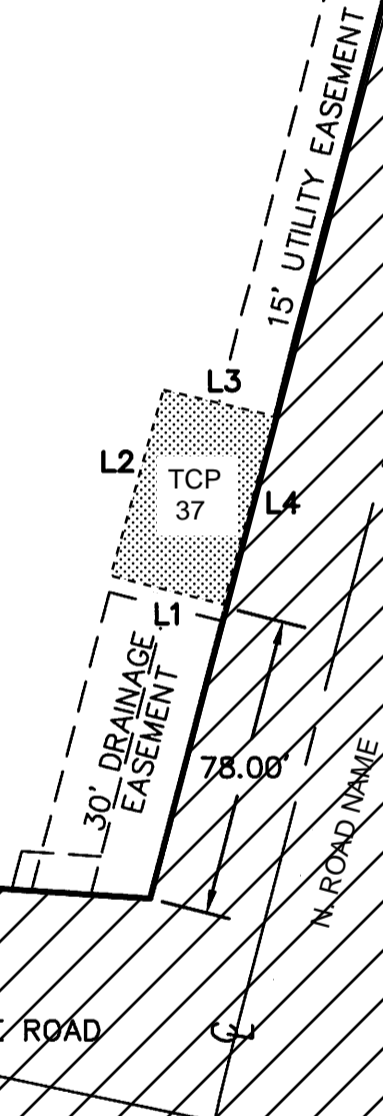
LOT X  
BLOCK X

LINE TABLE		
LINE	BEARING	DISTANCE
L1	N 75° 26' 33" W	28.08'
L2	N 14° 33' 27" E	50.00'
L3	S 75° 26' 33" E	28.08'
L4	S 14° 33' 27" W	50.00'

LOT X BLOCK X  
SUBDIVISION NAME  
PLAT XX-XXXX



AEC #XX  
NAME, ADDRESS, CITY, AK, ZIP, PHONE



### LEGEND

- 1404 SQUARE FEET AREA REQUIRED
- EXISTING RIGHT-OF-WAY



MATANUSKA-SUSITNA BOROUGH  
PUBLIC WORKS DEPARTMENT

TEMPORARY CONSTRUCTION PERMIT FOR:  
PROJECT NAME  
**LOT X, BLOCK X**  
**SUBDIVISION A**  
PLAT X, LOCATED WITHIN  
SECTION X, T X N, R X W, X MERIDIAN  
X RECORDING DISTRICT,  
THIRD JUDICIAL DISTRICT, STATE OF ALASKA

TCP AREA: X,XXX S.F.  
TAX ACCOUNT No.: XXXXBXXLXXX  
TAX MAP: XXXX  
PROJECT No.: X  
DATE: 10/29/2024

DRAWN BY: XXX  
CHECKED BY: XXX  
PARCEL No.: X  
SCALE: 1" = X'  
PAGE: 1 OF 1